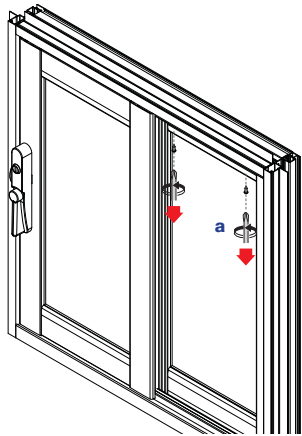
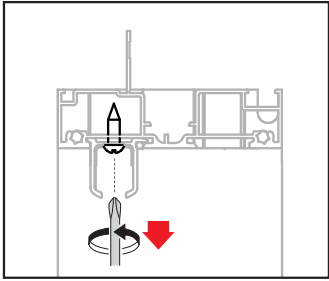
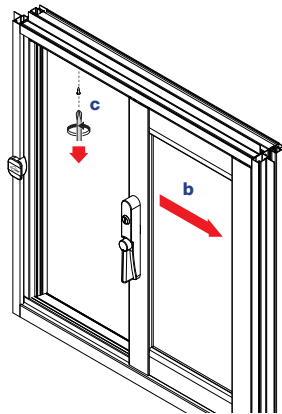


## Quantum Sliding Window Lock Replacement

**1** Remove screws that attach the hump above the sliding sash to the head



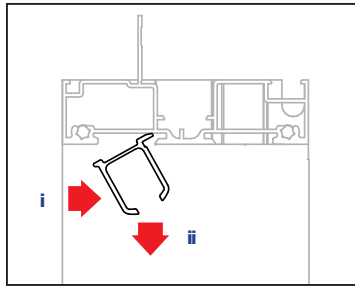
**a** remove visible screws when panel is closed



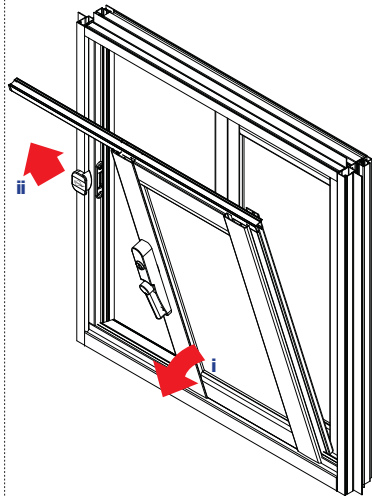
**b** slide window open

**c** remove visible screws when panel is opened

**2** Un-clip hump from the head

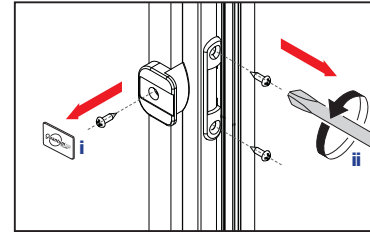
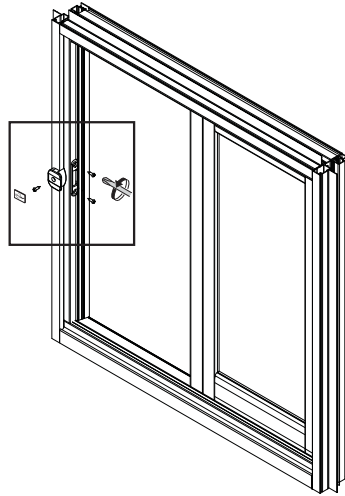


**a** Push hump forward then downwards to release hump from track

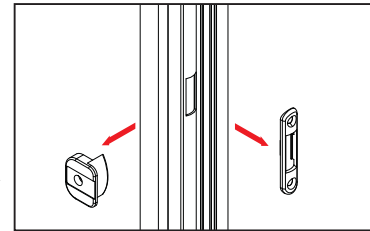


**b i.** pivot sash from the sill end and remove hump  
**ii.** lift sash up and remove from frame

**3** Remove striker plate and push away cam

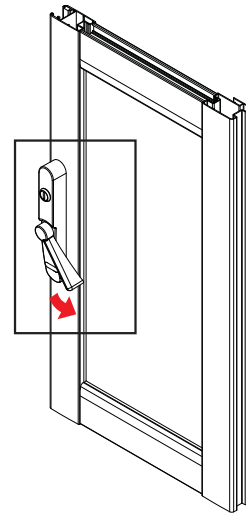


**a i.** remove Quantum badge from striker plate  
**ii.** unscrew striker plate cover & push away cam from jamb

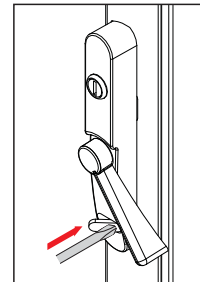


**b** remove striker plate cover & push away cam from jamb

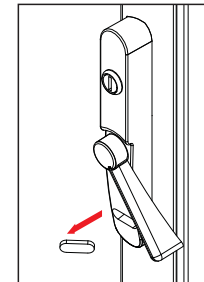
**4** Remove handle from stile



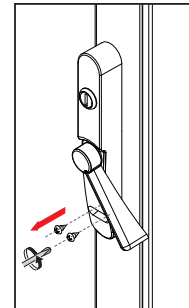
**a** open latch to access cap



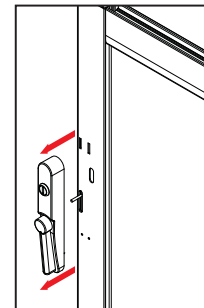
**b** with a screwdriver, press firmly on one end of the cap until the other end snaps out



**c** remove cap

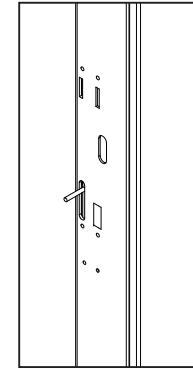


**d** remove screws

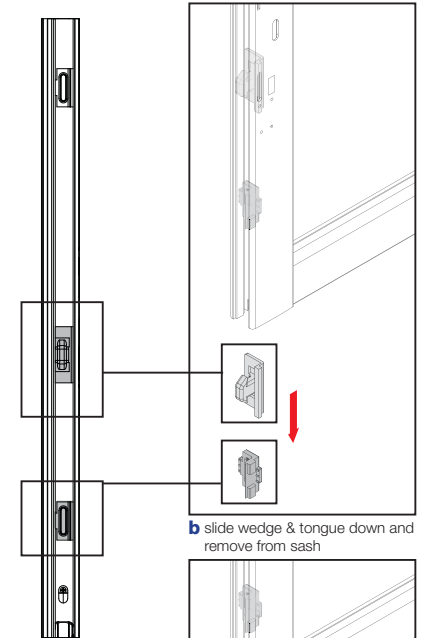
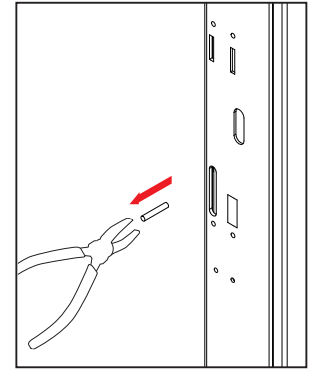


**e** pull handle from stile

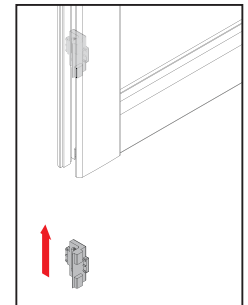
**5** Remove lock tongue



**a** remove pin with pliers



**b** slide wedge & tongue down and remove from sash



**c** re-insert wedge

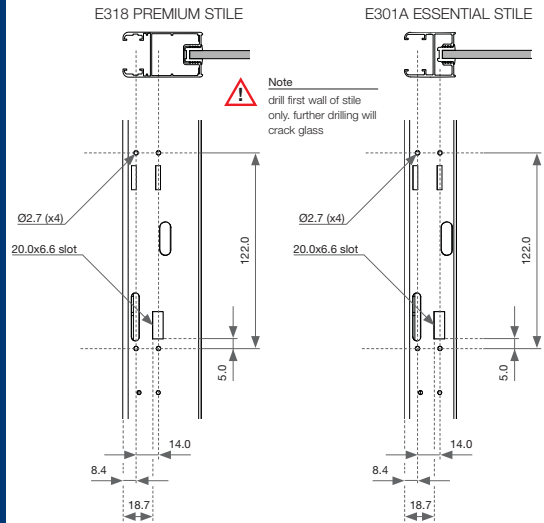
Please note that drawings are not to scale

Instructions | Quantum Sliding Window Lock Replacement | Mk1 | 23 Feb 2010

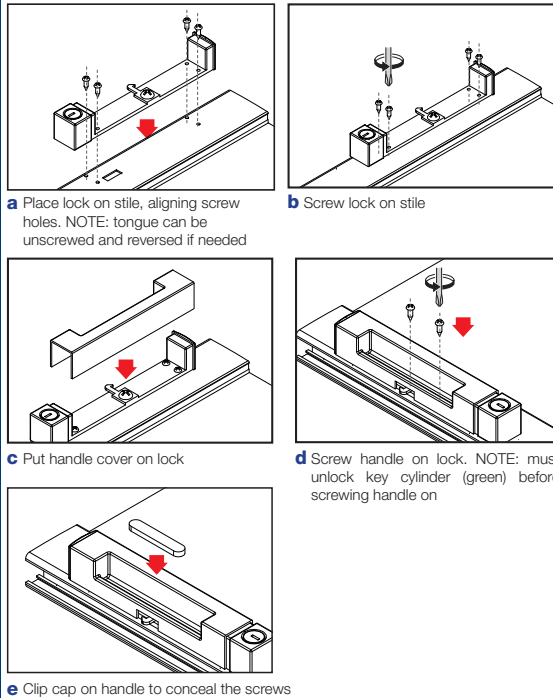
Confidentiality Notice: This document and the information it contains are copyright and confidential to Trend® Windows & Doors Pty Limited. Disclosure, use and copying in any form whatsoever, except as authorised by Trend® Windows & Doors in writing, are strictly prohibited. Patents and Design Registrations pending.

## Quantum Sliding Window Lock Replacement

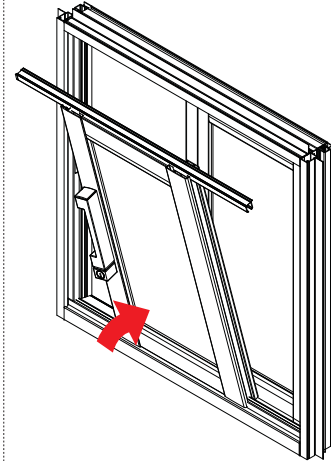
### 6 Drill holes on stile to cater new lock



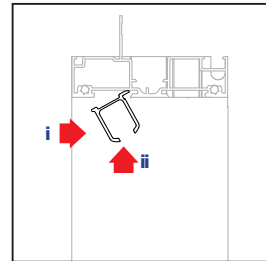
### 7 screw on lock handle



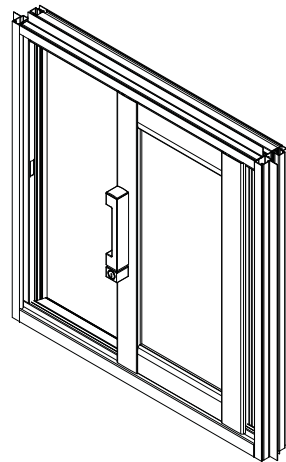
### 8 Put sliding sash back in frame



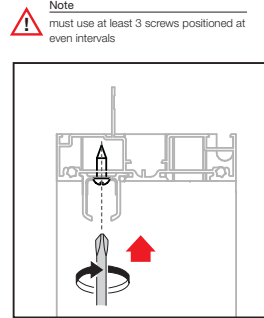
**a** Place panel on top of sill hump whilst holding head hump in head rail



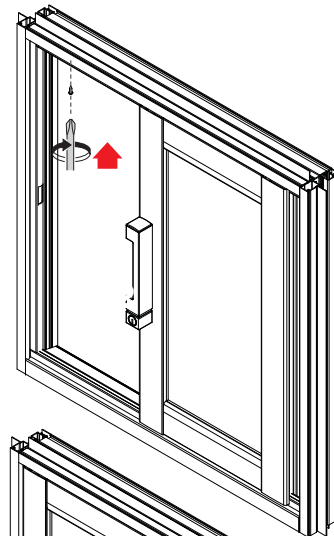
**b** clip hump into track in head, as shown



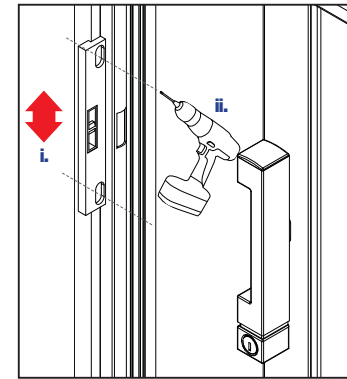
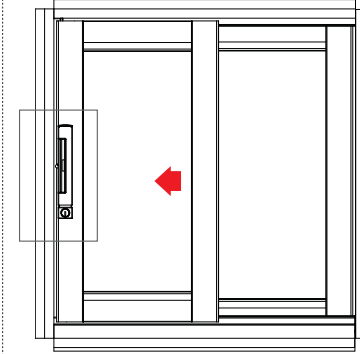
### 9 Screw hump on to head



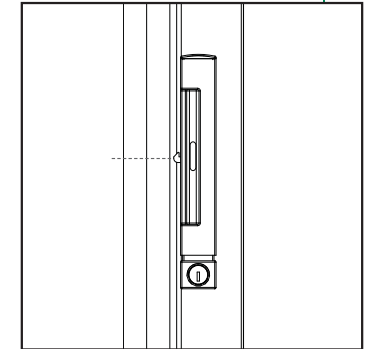
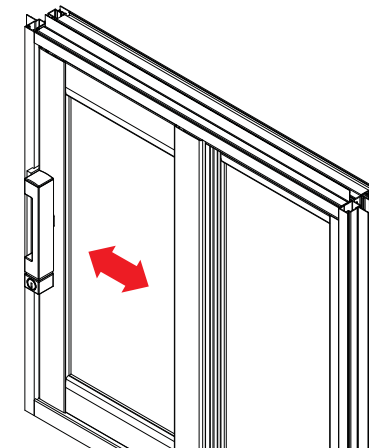
**Note**  
must use at least 3 screws positioned at even intervals



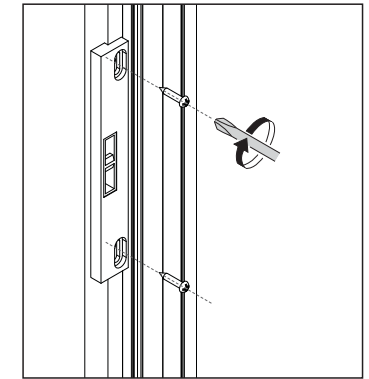
### 10 Screw striker on jamb



**b i.** place striker on jamb aligning the center of the striker with the mark placed on the jamb.  
**ii.** drill Ø3.0 hole (x2) using the striker as a guide for the locations



**a** Mark on the jamb the location of the centre line of the strike tongue



**c** partially screw striker on jamb and adjust accordingly

**Note**  
adjust height location of striker to catch lock tongue correctly before screwing tightly on jamb

**d** close the window to test if the lock engages correctly. If not then repeat adjustment (step 10 b i.)